



405 SERIES

MODELS

405AA38
405AD38
405ADC38/12
405ADC38/24



405AA
405AD



405ADC

FEATURES

- Single cylinder
- Oil-less, non-lube piston and cylinder
- Permanently lubricated bearings
- Stainless steel valves
- Aluminum valve plates
- Lightweight die cast aluminum components
- Long-life, high performance PTFE compound piston seal
- Thin wall, hard-coated aluminum cylinder for maximum heat transfer
- Balanced for smooth, low vibration operation
- Field service capability
- All wetted aluminum parts treated for corrosion protection from moisture
- All other wetted parts stainless steel
- 115 Volt, UL recognized motor and thermal protector (AC only)

Declaration documentation for applicable models available upon request

Consult factory for custom applications

Thomas Division is an ISO 9001 registered company

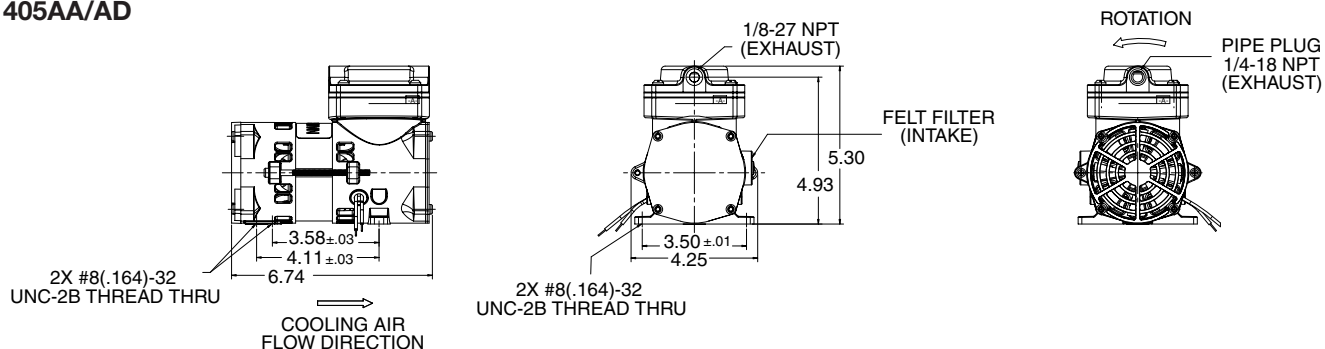
THOMAS
A Gardner Denver Product

405 Series Performance Data

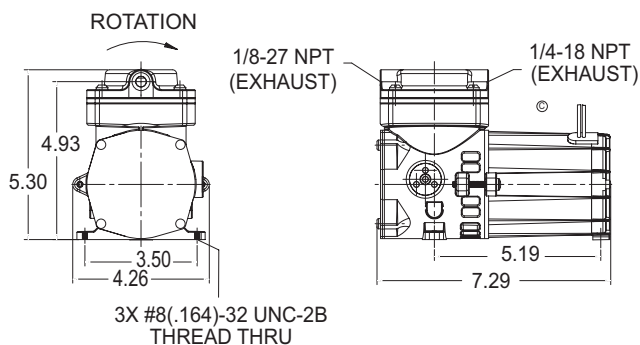
MODEL NUMBER		405AA38		405AD38		405ADC38/12		405ADC38/24	
HEAD CONFIGURATION		Pressure Only		Pressure Only		Pressure Only		Pressure Only	
STROKE		.380 Inches		.380 Inches		.380 Inches		.380 Inches	
PRESSURE		Flow @ 115v		Flow @ 220v		Flow @ 12v		Flow @ 24v	
CFM @ PSI	LPM @ bar								
PSI	bar	CFM	LPM	CFM	LPM	CFM	LPM	CFM	LPM
0	0	.32	9.0	.26	7.5	.79	22.3	.66	18.6
10	.5	.27	8.0	.24	6.6	.75	20.7	.60	17.4
20	1.0	.24	7.2	.19	6.0	.71	19.0	.52	15.9
30	1.5	.20	6.5	.17	5.4	.63	17.4	.45	14.3
40	2.0	.17	5.7	.14	4.7	.56	16.0	.41	12.9
50	3.0		4.5		3.7	.41	13.2	.35	11.0
60	5.0					.38	9.9	.30	7.4
70	7.0					.36	6.6	.27	5.3
80						.33		.24	
90						.27		.20	
100						.24		.19	
MAX. CONTINUOUS PRESSURE		20 PSI	1.4 bar	20 PSI	1.4 bar	100 PSI	6.9 bar	100 PSI	6.9 bar
MAX. INTERMITTENT PRESSURE		40 PSI	2.8 bar	40 PSI	2.8 bar	100 PSI	6.9 bar	100 PSI	6.9 bar
MAX. AMBIENT AIR TEMP.		104° F	40°C	104° F	40°C	104° F	40°C	104° F	40°C
MIN. AMBIENT START TEMP.		50° F	10°C	50° F	10°C	50° F	10°C	50° F	10°C
MAX. RESTART PRESSURE		0 PSI	0 bar	0 PSI	0 bar	100 PSI	7.0 bar	100 PSI	7.0 bar
MOTOR VOLTAGE/FREQUENCY		115/60/1		220/50/1		12v DC		24v DC	
MOTOR TYPE		Shaded Pole		Shaded Pole		Permanent Magnet		Permanent Magnet	
CURRENT AT RATED LOAD (AMPS)		1.65		1.00		10.5		4.5	
POWER AT RATED LOAD (WATTS)		110		120		—		—	
STARTING CURRENT (LOCKED ROTOR, AMPS)		2.55		1.00		25.0		13.0	
CAPACITOR VALUE		-		-		-		-	
MIN. FULL LOAD SPEED (RPM)		1575		1175		3310		2475	
THERMAL PROTECTOR		Yes		Yes		Yes		Yes (fuse)	
NET WEIGHT		5.5 lbs.	2.5 kg	5.5 lbs.	2.5 kg	4.3 lbs.	1.95 kg	4.3 lbs.	1.95 kg

Dimensions

405AA/AD



405ADC38/



The information presented in this material is based on technical data and test results of nominal units. It is believed to be accurate and reliable and is offered as an aid to help in the selection of Thomas products. It is the responsibility of the user to determine the suitability of the product for his intended use and the user assumes all risk and liability whatsoever in connection therewith. Thomas Industries does not warrant, guarantee or assume any obligation or liability in connection with this information.

NOTE: Models pictured are representative of the series and do not represent a specific model number. Consult factory for detailed physical description.

THOMAS
A Gardner Denver Product